

Sonoff 4CH (R2) User Guide

Hi, welcome to use Sonoff 4CH! Sonoff 4CH (R2) is a 4 channel (4-way) din rail mounting WiFi switch that can independently control the 4 home appliances. Power supply: 90-250v AC(50/60Hz), 10A.

1. Download “eWeLink” app.

Install the APP

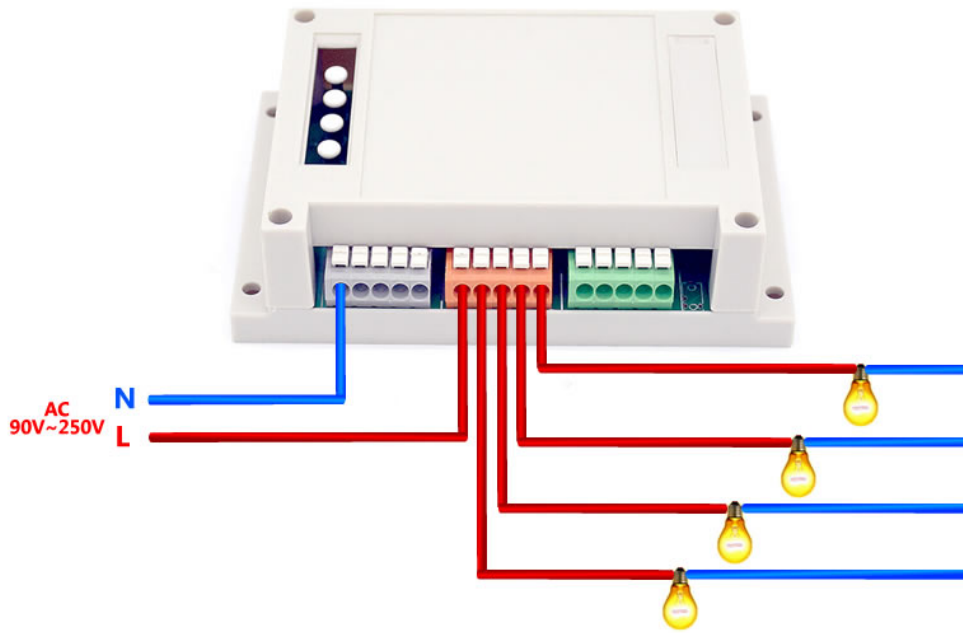


Search “eWeLink” in APP Store for iOS version or Google play for Android version.

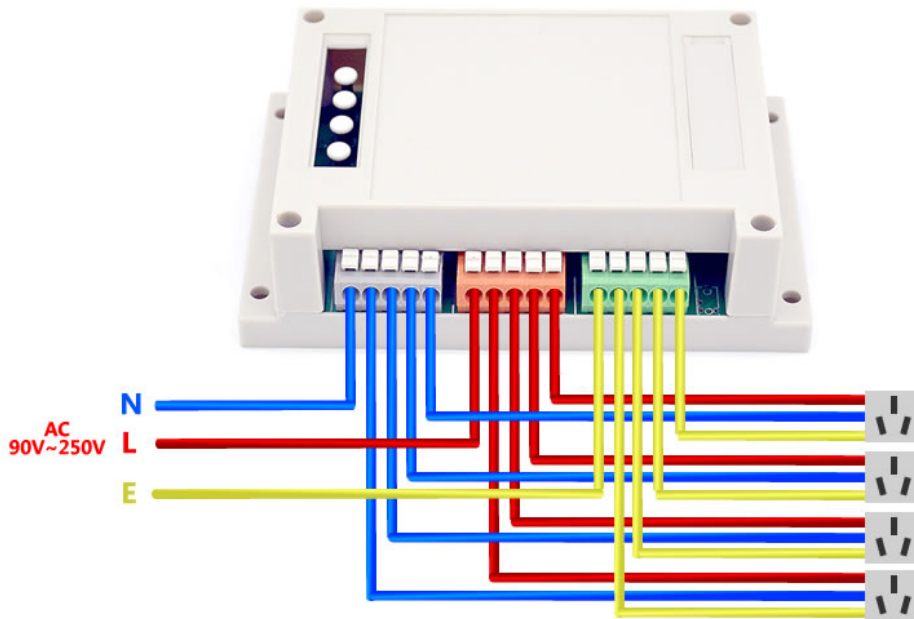
2. Wiring instruction

There are two kinds of wiring: one for connecting 4 lights, one for connecting with 4 home appliances.

Wiring diagram for Lights

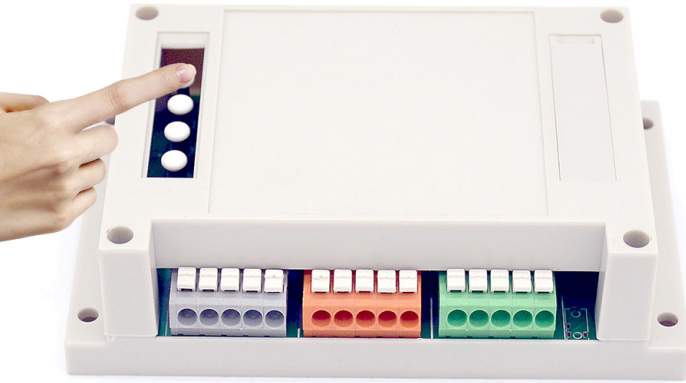


Wiring diagram for Appliances



3. Add device

1. Power up your device.



2. Press the first button for 7 seconds until the green LED blinks 3 times and on repeatedly.



3. For Android, please select the 1st icon, click next.

For iOS, please select the corresponding pairing icon. Click next.

The App will auto-search the device.

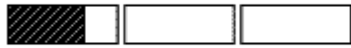


4. Input your home SSID & password:

4.1 If no password, keep it blank.

4.2 Now eWeLink only support 2.4G WiFi communication protocol, 5G-WiFi is not supported.

It takes 3 minutes , please wait...



searching device...

5. Next, the device will be registered by eWeLink and add it to your account , it takes 1-3 minutes.



6. Name the device to complete.

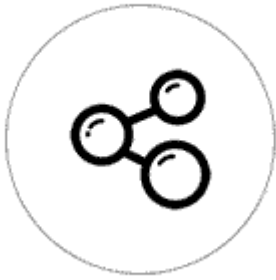
7. Maybe the device is “Offline” on eWeLink, for the device needs 1 minute to connect to your router and server. When the green LED on, the device is “Online”, if eWeLink shows still “Offline”, please close eWeLink and re-open.

3. APP features

1. WiFi one-to-one remote control 4 devices.

Turn on/off by tapping on device icon. Device state and real-time temperature and humidity values will simultaneously display on the interface.

2. Share Control



The owner can share the devices to other eWeLink accounts. While sharing devices, both should stay online on eWeLink. Because if the account you want to share is not online, he/she will not receive the invitation message.

How to make it possible? Firstly click Share, input the eWeLink account (phone number or email address) you want to share, tick the timer permissions (edit/delete/change/enable) you want to give, then click Next. The other account will receive an invitation message. Click Accept, the device has shared successfully. The other user will have access to control the device.

3. Timing



Support max 8 single/repeat/countdown timing schedules each device.

4. Security mechanism

One device one owner. Other people can not add the devices that have already been added.

5. Update

It will auto-remind you of new firmware or version. Please update as soon as you can.

4. Problems and solutions

Read the detailed [FAQ](#) on Itead Smart Home Forum. If below answers can't solve your problem, please submit a feedback on eWeLink.

1. My device has added successfully but stays “Offline”.

Answers: The newly added device need 1-2 min to connect to your router and the Internet. If it stays offline for a long time, please judge the problem by the green led status:

1.1. Green led quickly blinks one time and repeats, which means device failed to connect to the router. The reason may be you have entered wrong WiFi password or your device is too far away from the router, which causes a weak WiFi signal. The device can not be added to the 5G-wifi-router, only the 2.4G-wifi is OK. At last, make sure that your router is MAC-open.

1.2. Green led slowly blinks one time and repeats, which means the device has connected to router and server but failed to be added to the device list. Then power on the device again, if it still not working, just add the device again.

1.3. Green led quickly blinks twice and repeats, this means the device has connected to the router but failed to connect to the server. Then please confirm your WiFi router works normally.

2. Why the APP can't find the device in pairing status?

Answers: That's because of your phone's cache. Please close the WLAN of your phone then open it after a minute. At the same time, please power off the device if you can, then power up to try again.

3. My WiFi is expired, can I connect the devices to LAN?

Answers: Currently this product does not support LAN. It must connect to the WiFi router.

4. The green led keeps off, even if the device is powered on. Press the button but the device does not work.

Answers: The circuit may be broken, please send it back for testing. Return shipping postage and packaging will be at buyer's expense, if the device is damaged by the buyer, and the buyer should bear extra repair cost.



店长 / 2016年12月23日

eWelink / 自豪地采用WordPress